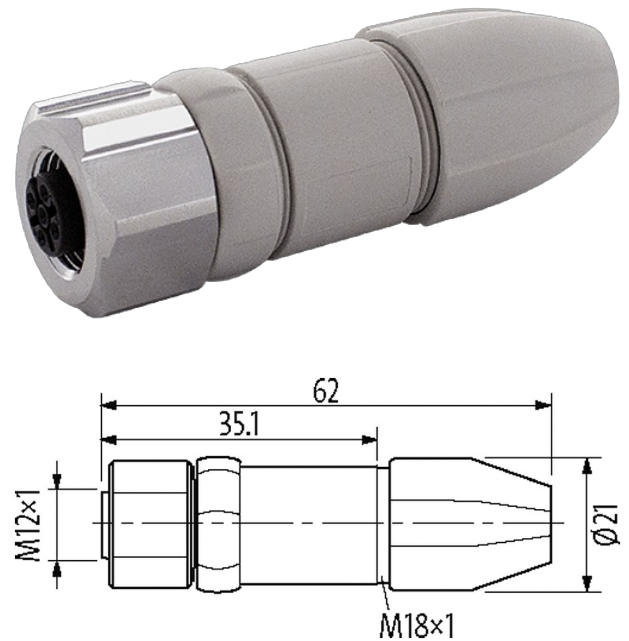


M12 female 0° wireable scew term. F&B PRO4-pol. max.1,0mm² 3,5-6mm

M12 F&B Pro
 Female straight
 4-pole
 Screw terminals

The resistance to aggressive media should be individually tested for your application. Further details on request.

[Link to Product](#)**Illustration**

Product may differ from Image

General data

Safety class	II
Temperature range	-25...+100 °C
Material (gasket)	EPDM

Technical Data

Operating voltage	max. 250 V AC/300 V DC
Operating current per contact	max. 4 A
Connection cross section	0.25...1.0 mm ²
Sealing range (cable Ø)	3.5...6.0 mm
Locking of ports	Screw thread (M12×1 mm) recommended torque 0.6 Nm
Compression gland	M12 (SW19)
Protection	IP65, IP68, IP69K inserted and tightened (EN 60529)
Material	PA
Locking material	Stainless steel

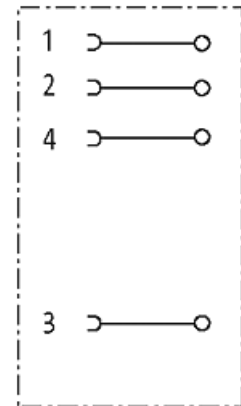
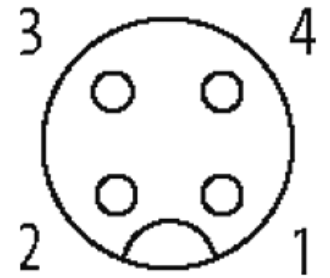
Commercial data

country of origin	DE
customs tariff number	85366990

EAN	4048879804608
eClass	27279221
Packaging unit	1

Sketch

Female



Product may differ from Image